

AQUAMOX INSTALLATION INSTRUCTIONS

crest
showers

TILE OVER BASE - CENTRE WASTE / /

PARTS LIST

INCLUDED

1. Base
2. Adhesive

NEEDED

1. Caulking Gun
2. Level
3. Tape
4. Stanley Knife
5. Pencil
6. Weights
7. Leak Control Flange with Easy Clean Waste Kit

NOTE: If additional adhesive is required, **DO NOT** use solvent based glue.

INSTALLATION INSTRUCTIONS

1. PREPARATION

- Clean and prepare the floor area for the shower base.
- The wall linings **MUST** be installed and fitted right down to the floor before installing the base.

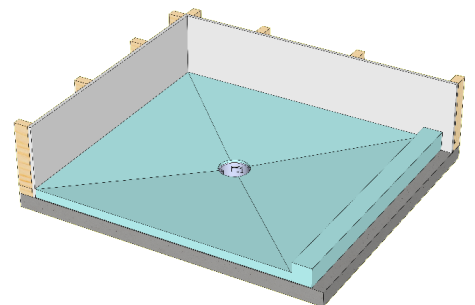
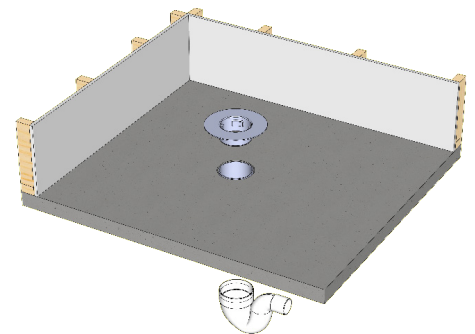
NOTE: If your base is supplied with upstands, your wall linings **MUST** be installed and fitted to the top of the upstands.

- Fit approved Aquamox Leak Control Flange outlet into the floor, so it can be connected to the outlet S-Trap or Waste Pipe.

NOTE: Ensure the Waste Trap is unscrewed from Leak Control Flange before installing base.

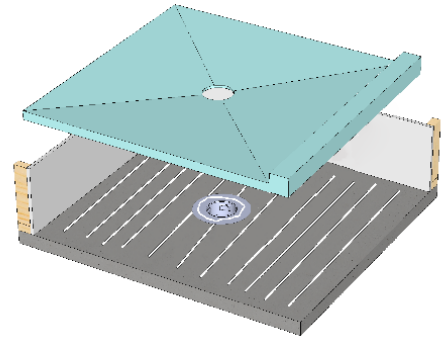
2. DRY FIT

- Dry fit base into place, making sure the Leak Control Flange and waste hole on the base line up.
- If required, trim edges of waste hole with Stanley Knife to line up with Leak Proof Flange for a smooth transition for Waterproofing Membrane.
- Mark outside of the base with a pencil to set gluing area.
- Check if base is level.



3. GLUING

- Apply recommended adhesive to the marked floor area. Adhesive should be applied in a generous bead (8x8mm) using an evenly spaced parallel pattern - this is to prevent any potential air pockets forming under the base. **ONLY USE SUPPLIED AQUAMOX ADHESIVE.**
- If the floor is not level, use extra adhesive or leveling compound to compensate for variation.
- Apply generous bead of adhesive around the top lip of the leak control flange to ensure a good seal.

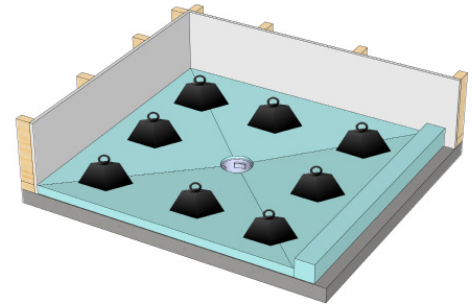


4. FITTING AND CURING

- Fit base back into place and press firmly over the entire surface. Weight the base and check level again before curing.

NOTE: If your base is supplied with upstands, run adhesive in the gap between the wall lining and upstand.

- The recommended Aquamox AP1070 adhesive has an initial curing time of 24hrs however a waterproofing membrane can be applied after 30 minutes of curing.
- The product must not be touched during the initial 30 minutes of curing. After 30 minutes use caution when working on the area.

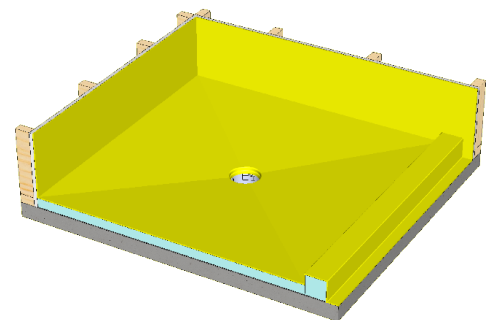


WATERPROOFING

Once the base is secured to the floor and the glue is cured, the waterproofing membrane can be applied. Most popular, certified waterproofing membranes can be used on Aquamox. If in doubt, your waterproofer or tiler will seek professional advice from their supplier if unsure. All waterproofing must be done by a certified waterproofing specialist.

5. WATER PROOFING

- Apply the Waterproofing Membrane according to the manufacturer's instruction (with correct waterproofing edge, bandages, corners and reinforcing tapes).
- Ensure Waterproofing is applied to walls from the top of the shower line, down the base and out across the base, into the leak control flange to the top of the threads.
- Ensure the Waterproofing returns up the inside vertical face of the edge hobs, across the top edge, down the floor line and on the outside of the tile over shower base. (Note your council may require the remaining bathroom floor to be waterproofed also).
- Ensure waterproofing is applied well down into the Leak Control Flange, to the top of the thread line.



6. CENTRE WASTE

- Re-screw Waste Trap back into Leak Control Flange.
- Tiler will use the threaded height adjustment screw to position the lid to align slightly below the finished tile height.